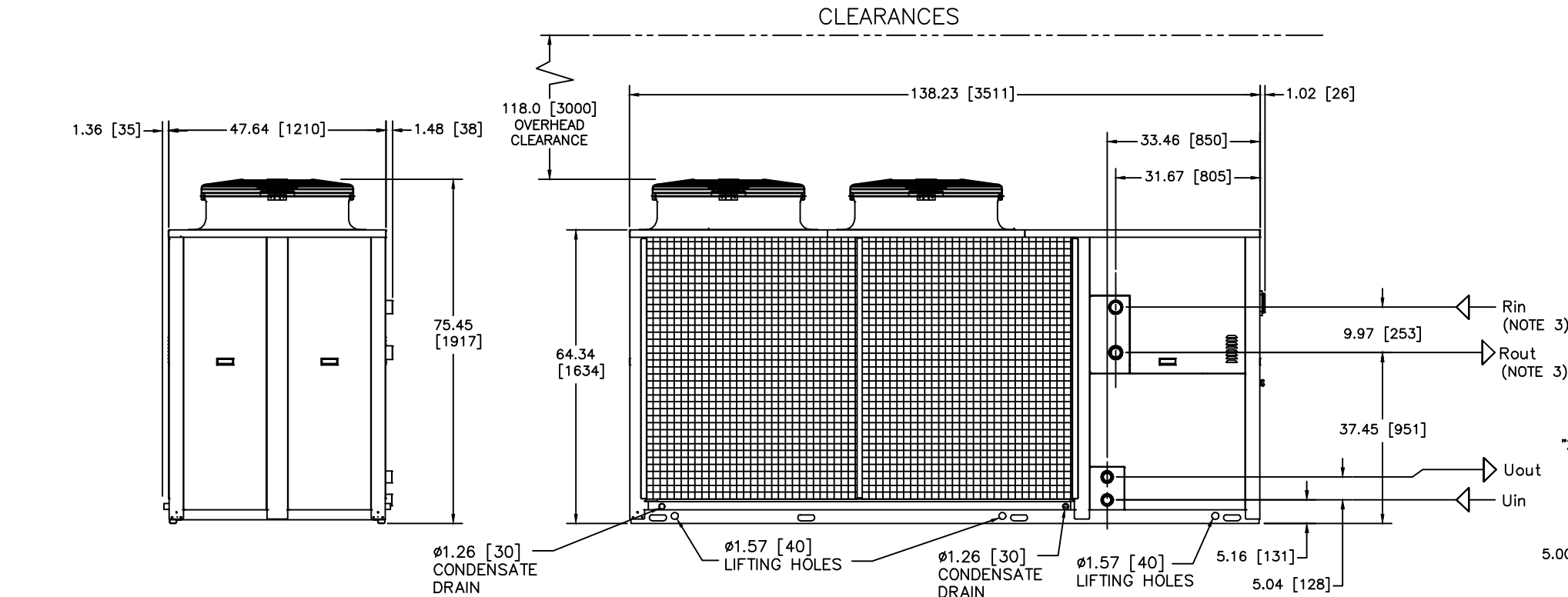
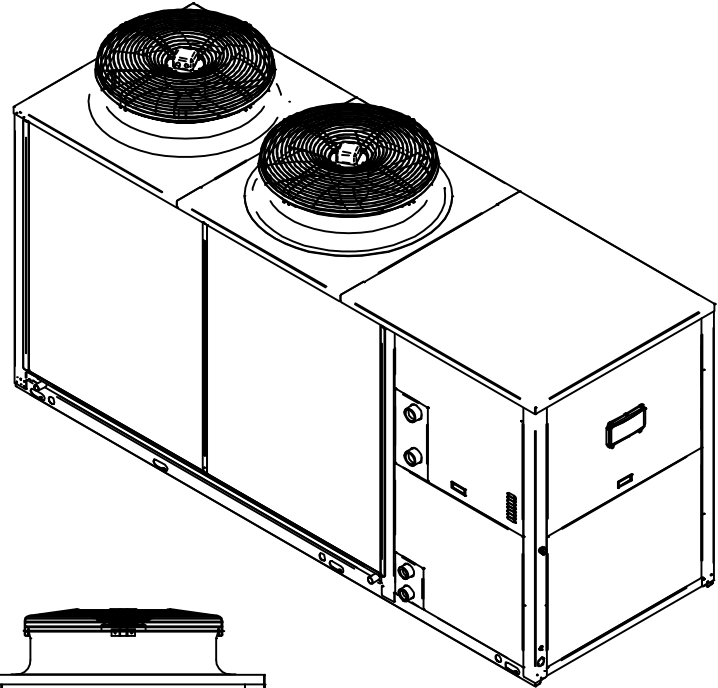
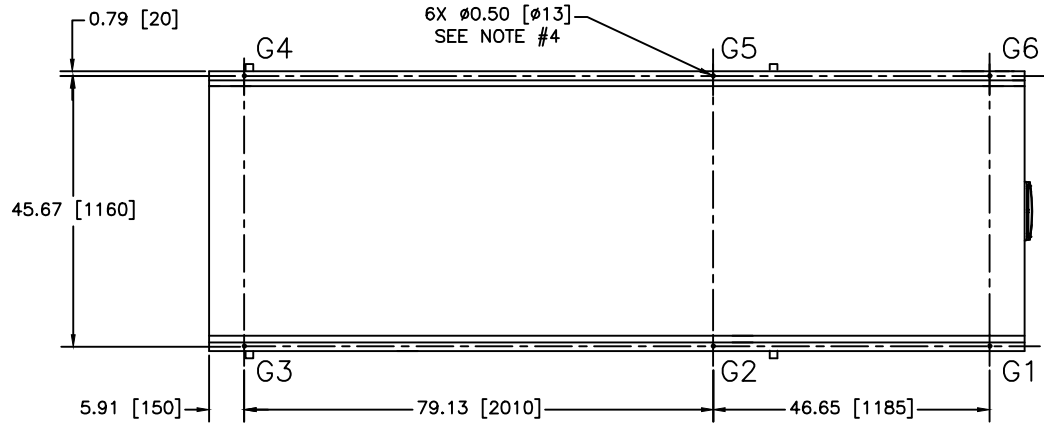


MODEL #	USER WATER IN Uin (NPTF)	USER WATER OUT Uout(NPTF)	RECOVERY WATER IN Sin (NPTF)	RECOVERY WATER OUT Sout(NPTF)	WEIGHT (Lb/Kg)	OPERATING WEIGHT (Lb/Kg)
350	1-1/2"	1-1/2"	1-1/2"	1-1/2"	2403/1090	2418/1097
350 W/CR	1-1/2"	1-1/2"	1-1/2"	1-1/2"	2467/1119	2498/1133
500	1-1/2"	1-1/2"	2"	2"	2762/1253	2782/1262
500 W/CR	1-1/2"	1-1/2"	2"	2"	2842/1289	2884/1308



CENTER OF GRAVITY (COG)			
MODEL #	"X"	"Y"	"Z"
350	51.41 [1306]	23.73 [603]	25.77 [654]
350 W/CR	52.75 [1340]	25.03 [636]	25.9 [658]
500	54.03 [1372]	23.77 [604]	25.94 [659]
500 W/CR	54.87 [1394]	24.88 [632]	26.13 [664]



- NOTES:
- 1) ALL DIMENSIONS SHOWN ARE IN INCHES (MILLIMETERS).
 - 2) LYNCE RESERVES THE RIGHT TO MODIFY DIMENSIONS WITHOUT PRIOR NOTICE.
 - 3) ONLY FOR RECOVERY VERSION.
 - 4) FOR ANTI-VIBRATION ISOLATOR MOUNTS, SEE TABULATE DATA.

ANTI-VIBRATION MOUNT TABULATE DATA						
SELECO ISOLATOR MOUNTS (NEW) - START SN EB24001866						
MODEL #	G1	G2	G3	G4	G5	G6
350/500 & 350/500 W/CR	BB200-60SH	BB200-45SH	BB200-45SH	BB200-60SH	BB200-60SH	BB200-70SH
VIBROSTOP ISOLATOR MOUNTS (OLD) - PHASED OUT						
350 & 350 W/CR	AA100/R	AA100/N	AA100/N	AA100/N	AA100/R	AA100/R
500 & 500 W/CR	AA100/R	AA100/R	AA100/N	AA100/N	AA100/R	AA100/R

SOLECO ISOLATOR MOUNTS TO USE ARE RUBBER AT LOCATIONS WITH COLORS AS NOTED: 45 = OFF-WHITE, 60 = RED, 70 = BLACK
 VIBROSTOP ISOLATOR MOUNTS TO USE ARE RUBBER AT LOCATIONS WITH COLORS AS NOTE /N = BLACK AND /R = GREEN

Lynce Blauvelt, NY
Fort Worth, TX

AEGIS A 350-500
DIMENSIONAL/CLEARANCE DRAWING

DWN.BY K.S. DATE 092120
 SCALE NTS
 APPD. K.S. DATE 012126

AP-L-1060 REV. J