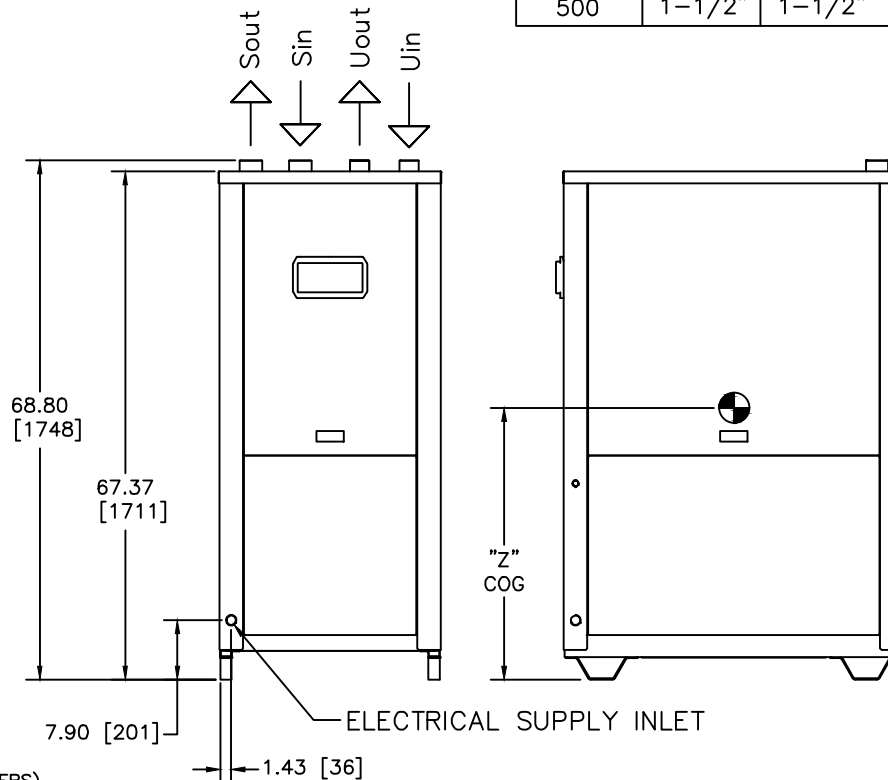
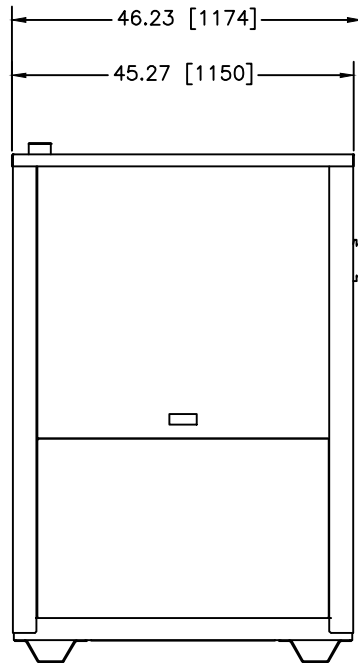


CENTER OF GRAVITY (COG)			
MODEL #	"X"	"Y"	"Z"
250	35.04 [890]	27.56 [700]	21.52 [547]
350	35.04 [890]	27.56 [700]	21.52 [547]
500	35.04 [890]	27.56 [700]	22.29 [566]

MODEL #	USER WATER IN U _{in} (NPTF)	USER WATER OUT U _{out} (NPTF)	SOURCE WATER IN S _{in} (NPTF)	SOURCE WATER OUT S _{out} (NPTF)	WEIGHT (Lb/Kg)	OPERATING WEIGHT (Lb/Kg)
250	1-1/2"	1-1/2"	1-1/2"	1-1/2"	1188/538,8	1208/548
350	1-1/2"	1-1/2"	1-1/2"	1-1/2"	1282/581,6	1307/593
500	1-1/2"	1-1/2"	2"	2"	1336/605,9	1371/622



- NOTES:
- 1) ALL DIMENSIONS SHOWN ARE IN INCHES (MILLIMETERS).
 - 2) LYNC RESERVES THE RIGHT TO MODIFY DIMENSIONS WITHOUT PRIOR NOTICE.
 - 3) FOR ANTI-VIBRATION ISOLATOR MOUNTS, SEE TABULATE DATA ON SHEET #2.

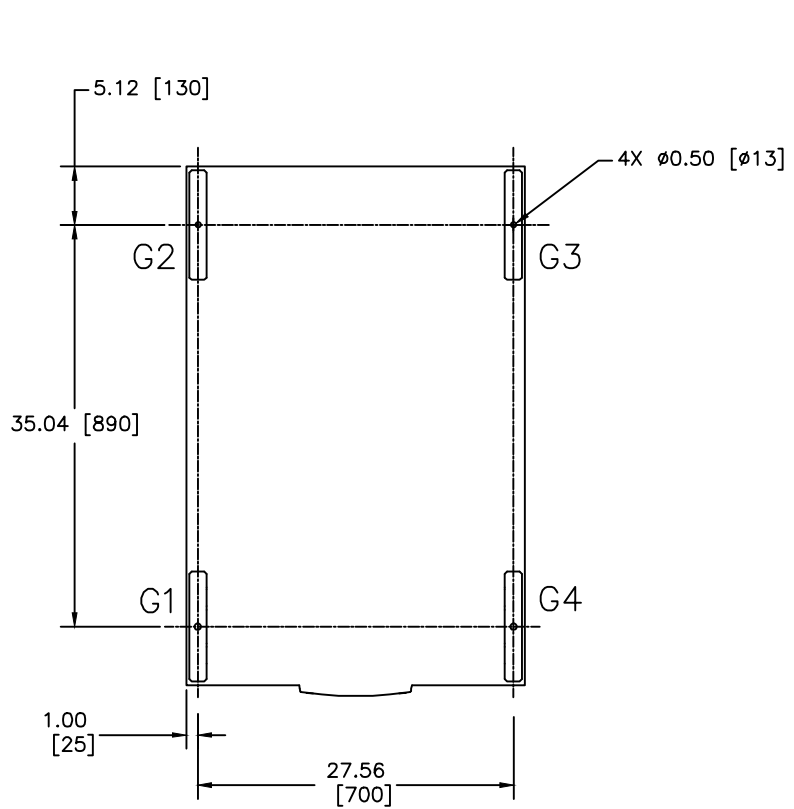
Lync Blauvelt, NY
Fort Worth, TX

LYNC HEAT PUMP
MODELS 250W - 500W
DIMENSIONAL/CLEARANCE DRAWING

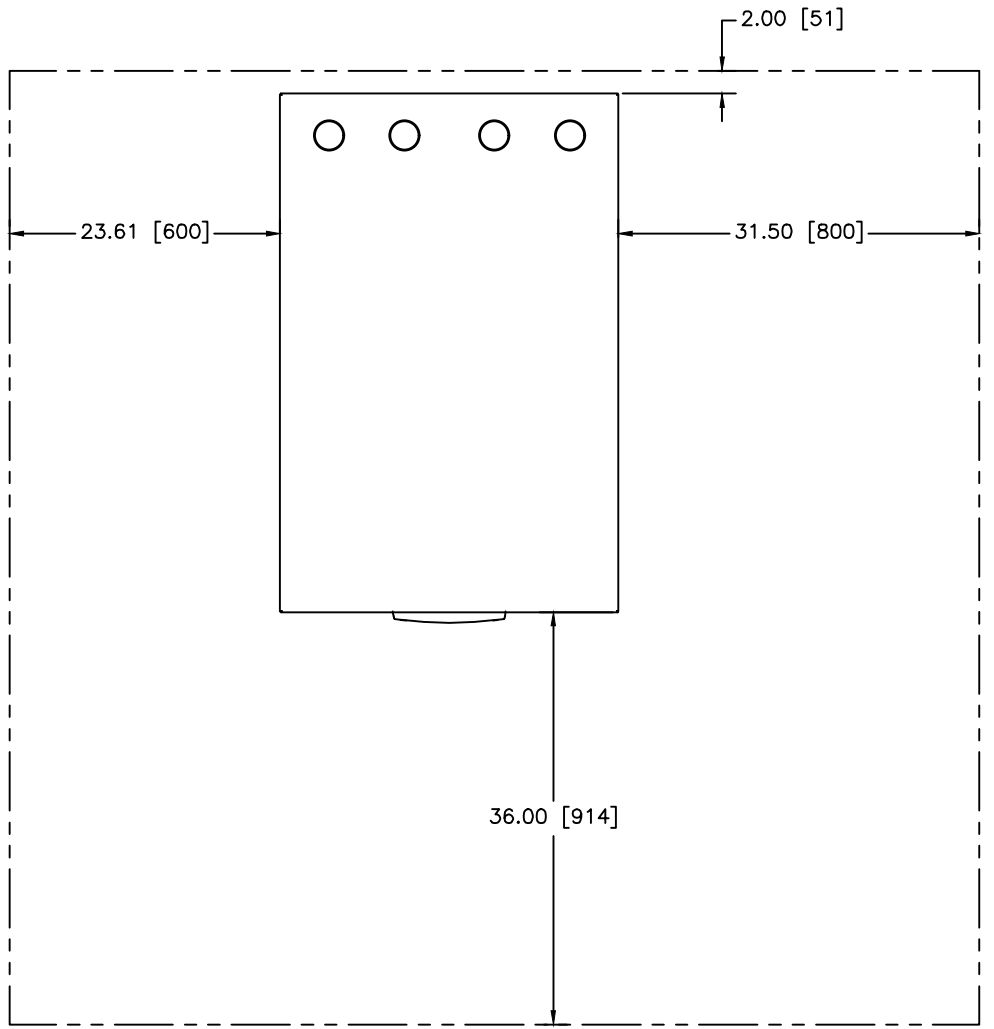
DWN.BY K.S. DATE 092120
SCALE NTS
REV.BY K.S. DATE 012126

AP-L-1058
(SHEET 1 OF 2)

REV.
E



ANCHOR BOLT & ISOLATOR MOUNTING LOCATIONS



CLEARANCES

ANTI-VIBRATION MOUNT TABULATE DATA

MODEL #	G1	G2	G3	G4
250/350 W	BB50-60SH	BB50-60SH	BB50-60SH	BB50-60SH
500 W	BB50-60SH	BB50-60SH	BB50-70SH	BB50-70SH

SOLECO ISOLATOR MOUNTS TO USE ARE RUBBER AT LOCATIONS WITH COLORS AS NOTED: 60 = RED, 70 = BLACK

Lync Blauvelt, NY
Fort Worth, TX

LYNC HEAT PUMP
MODELS 250W - 500W
DIMENSIONAL/CLEARANCE DRAWING

DWN. BY <u>K.S.</u> DATE <u>092120</u>	AP-L-1058 (SHEET 2 OF 2)	REV. E
SCALE <u>NTS</u>		
REV. BY <u>K.S.</u> DATE <u>012126</u>		