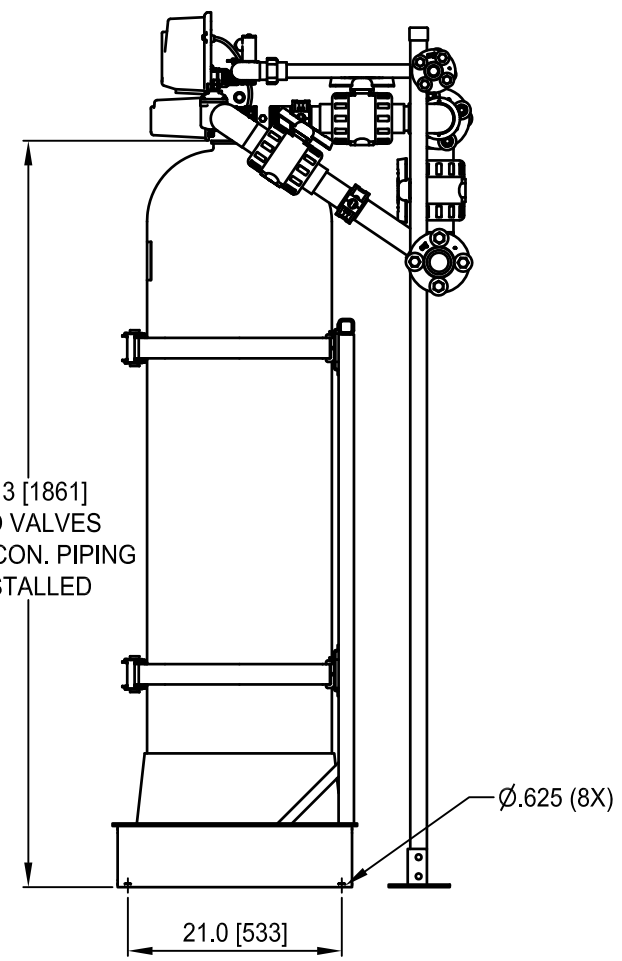
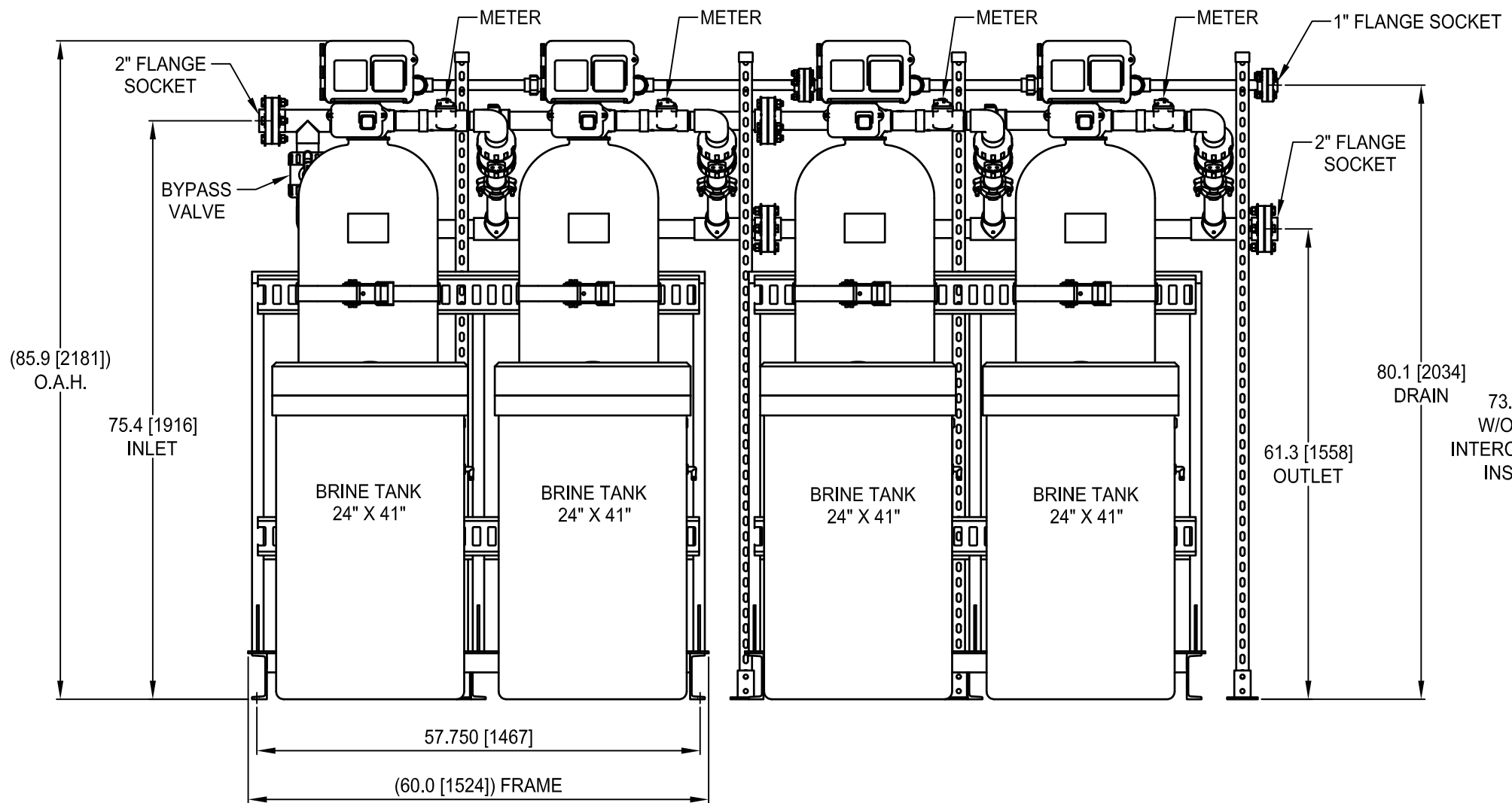


ISOMETRIC VIEW FOR REFERENCE ONLY



NOTES:
 1. ALL DIMENSIONS SHOWN ARE IN INCHES [MILLIMETERS].
 1. ALL CALLOUTS ENCLOSED IN PARENTHESES () OR UNDERLINED ARE FOR REFERENCE ONLY.

		Fort Worth, TX www.lyncbywatts.com	
TITLE WQSF-075-N DIMENSIONAL DRAWING			
DWN.BY	<u>K.S.</u>	DATE	<u>092721</u>
SCALE	<u>NTS</u>		
REV.BY	_____	DATE	_____
DWG. NO.: AP-L-1069			REV A
SHEET 1 OF 1			