

MODEL NO.	GALLONS STORAGE	DIMENSIONS IN INCHES										WATER INLET & OUTLET (NPT)	APPROX. SHIPPING WEIGHT (Lb)
		A	B	C	D	F	G	H	J	K			
LC250S	250	50	69.50	3.56	17.88	31	56	29.25	56.31	52.50	2-1/2"	1000	
LC500S	500	60.19	82.75	3.93	21.25	31	66	38.75	66.38	62.50	2-1/2"	1600	
LC750S	750	71	90.13	4.63	23.25	40	78	45.38	77.25	74.50	2-1/2"	1875	
LC1000S	1000	81.19	89.88	4.19	24.56	47	88	55	87.31	84.50	2-1/2"	2900	

NOTES:

1. JACKET PENETRATIONS:

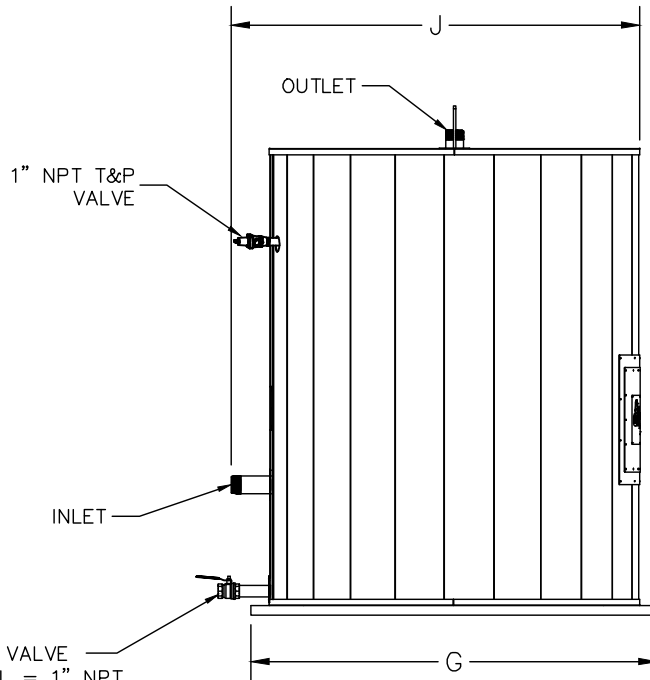
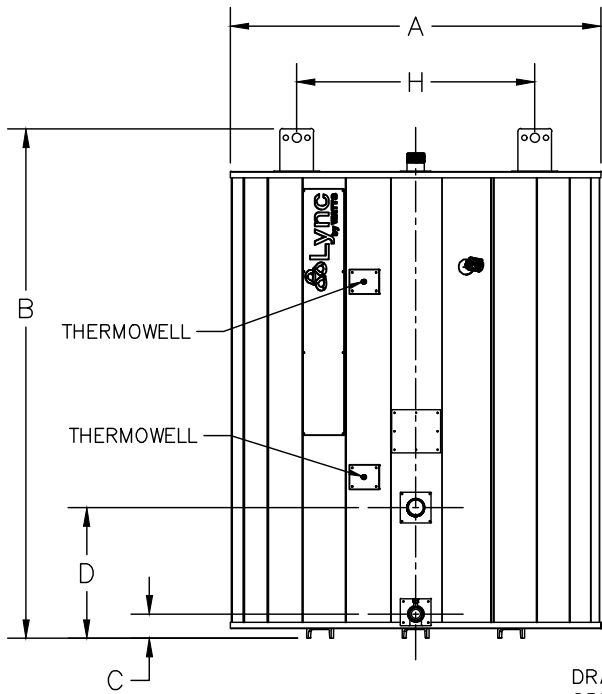
FRONT: INLET, DRAIN, RELIEF, 2 THERMOWELLS, ASME DATA PLATE (ACCESSIBLE) 150PSI WORKING PRESSURE (225PSI HYDROTEST)

TOP: OUTLET

BACK: MANWAY, PROCESS FITTING (2IN BOTH ACCESSIBLE)

THERMOWELL DIAMETER 0.25", ACCEPTS 1/4" OR 6MM PROBES. CONNECTION 1/4" NPT

2. TANK SUPPLIED WITH WATTS LF140X9. ASME RELIEF CAPACITY 3,085,000 BTU/HR @ 150 PSI
CSA RELIEF CAPACITY 670,000 BTU/HR



DRAIN VALVE
250GAL = 1" NPT
ALL OTHERS = 1-1/2" NPT

LYNC RESERVES THE RIGHT TO MODIFY DIMENSIONS WITHOUT PRIOR NOTICE.



Blauvelt, NY
Fort Worth, TX

LYNC STORAGE TANK
DIMENSIONAL DRAWING

DWN.BY K.S. DATE 120920
SCALE NTS
REV.BY K.S. DATE 051326

AP-L-1061

REV.
F