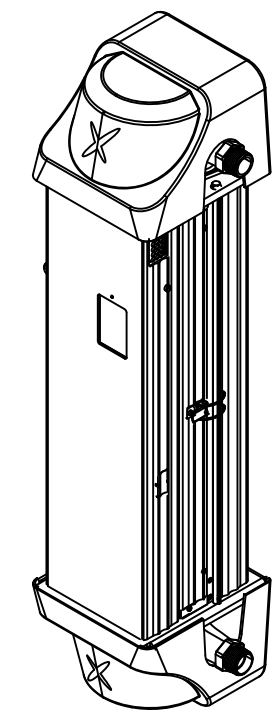
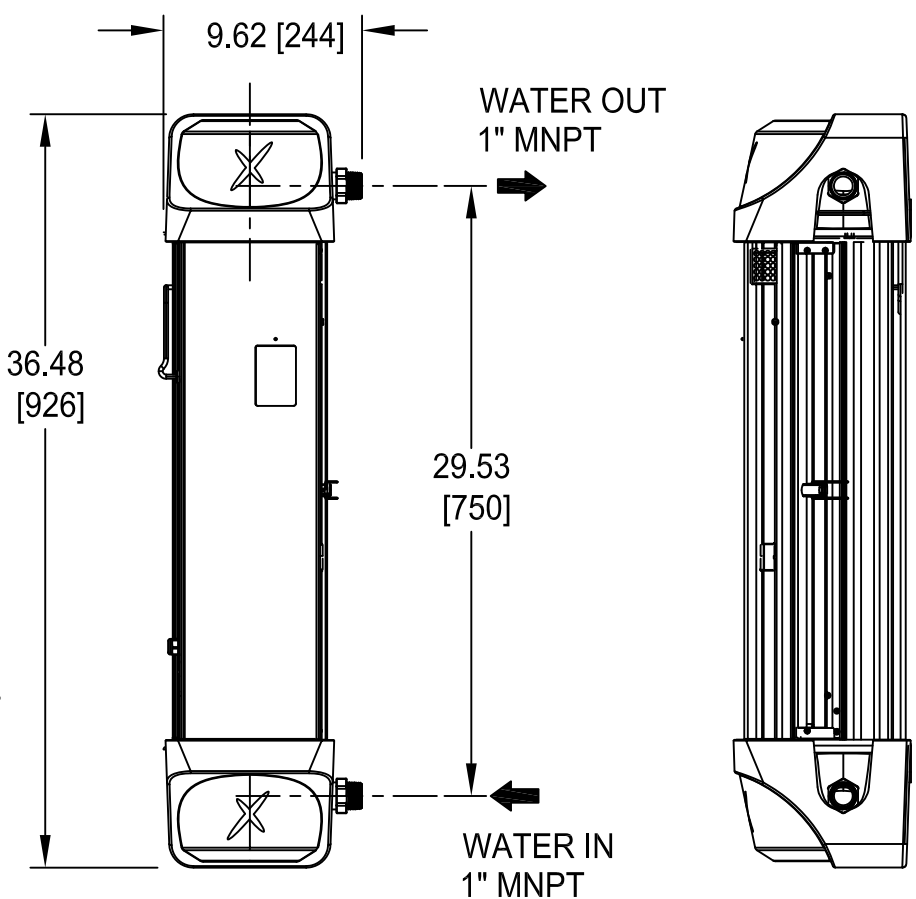
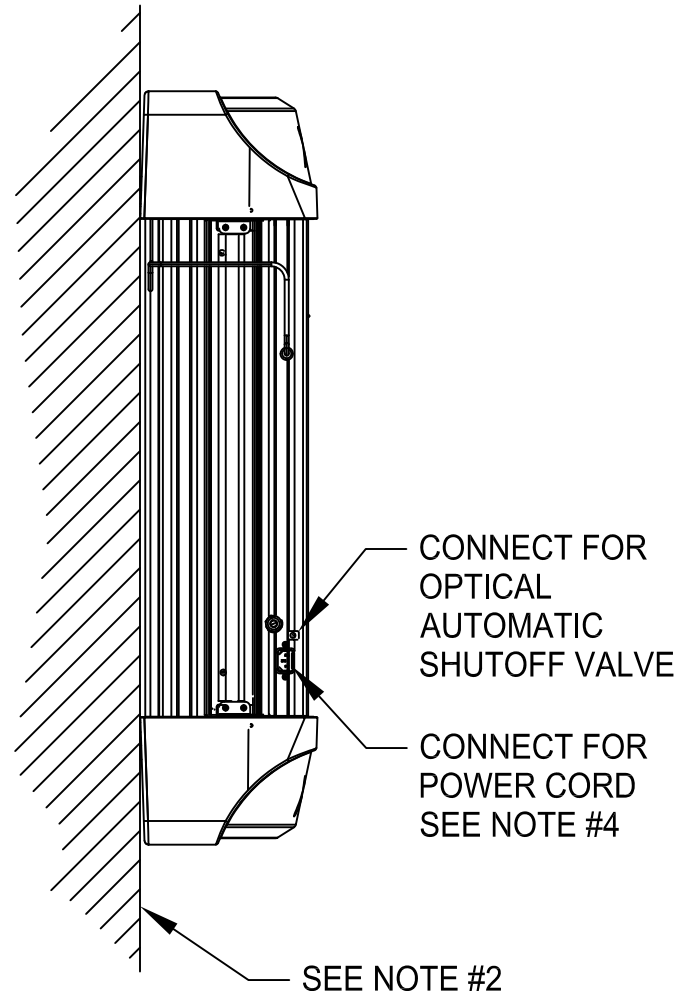
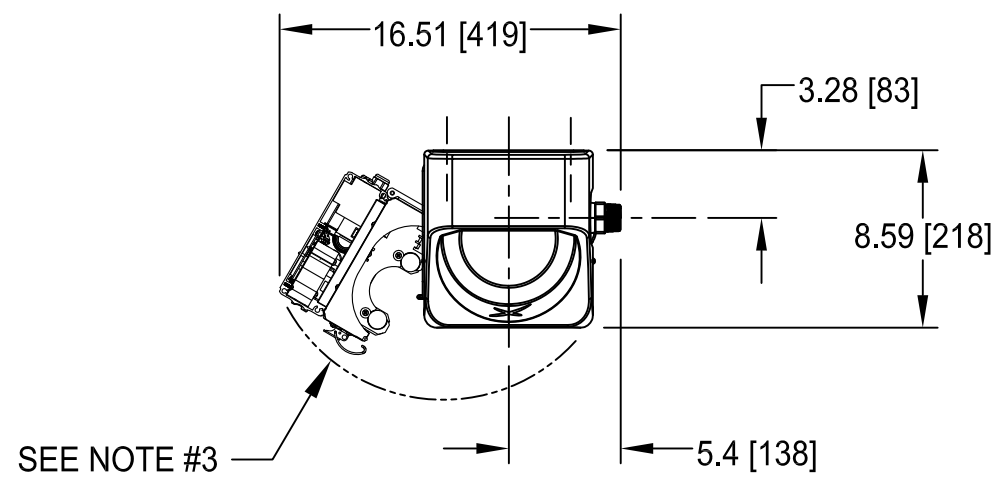


TO MOUNT USE
#12 OR 1/4" DIA. SCREWS
(4) PLACES

REAR VIEW SHOWN
MOUNTING HOLES



ISOMETRIC VIEW

- NOTES:
1. ALL DIMENSIONS SHOWN ARE IN INCHES [MILLIMETERS].
 2. UNIT TO BE MOUNTED VERTICALLY ON A SOLID WALL.
 3. FRONT PANEL SWINGS OPEN TO LEFT FOR UV LAMP REPLACEMENT.
 4. UNIT TO BE PLUGGED IN GROUND-FAULT-CIRCUIT-INTERRUPTER (GFCI).

		Fort Worth, TX www.lyncbywatts.com	
TITLE		UV-H - 500 MODEL DIMENSIONAL DRAWING	
DWN.BY <u>K.S.</u>	DATE <u>041723</u>	DWG. NO.: AP-L-1090	REV A
SCALE <u>NTS</u>	REV.BY _____ DATE _____	SHEET 1 OF 1	