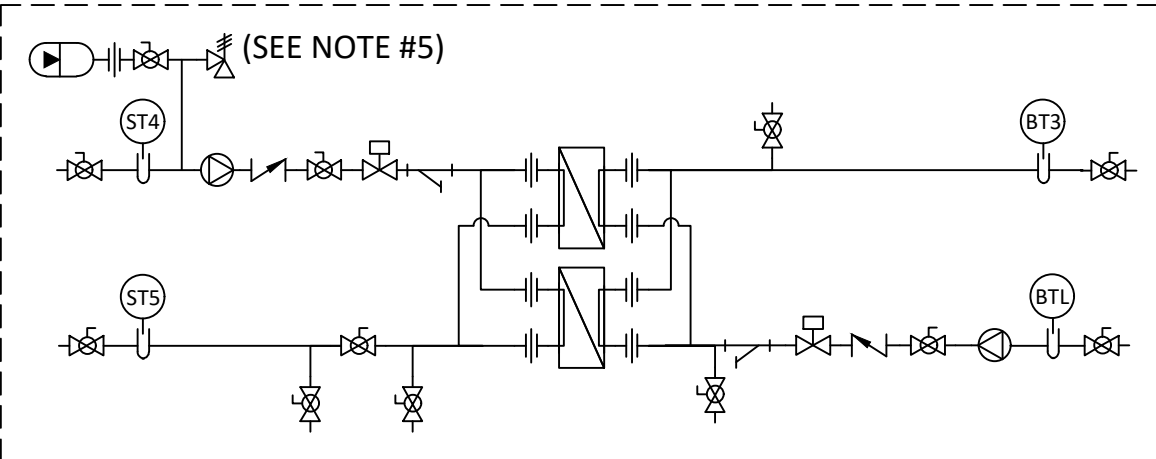


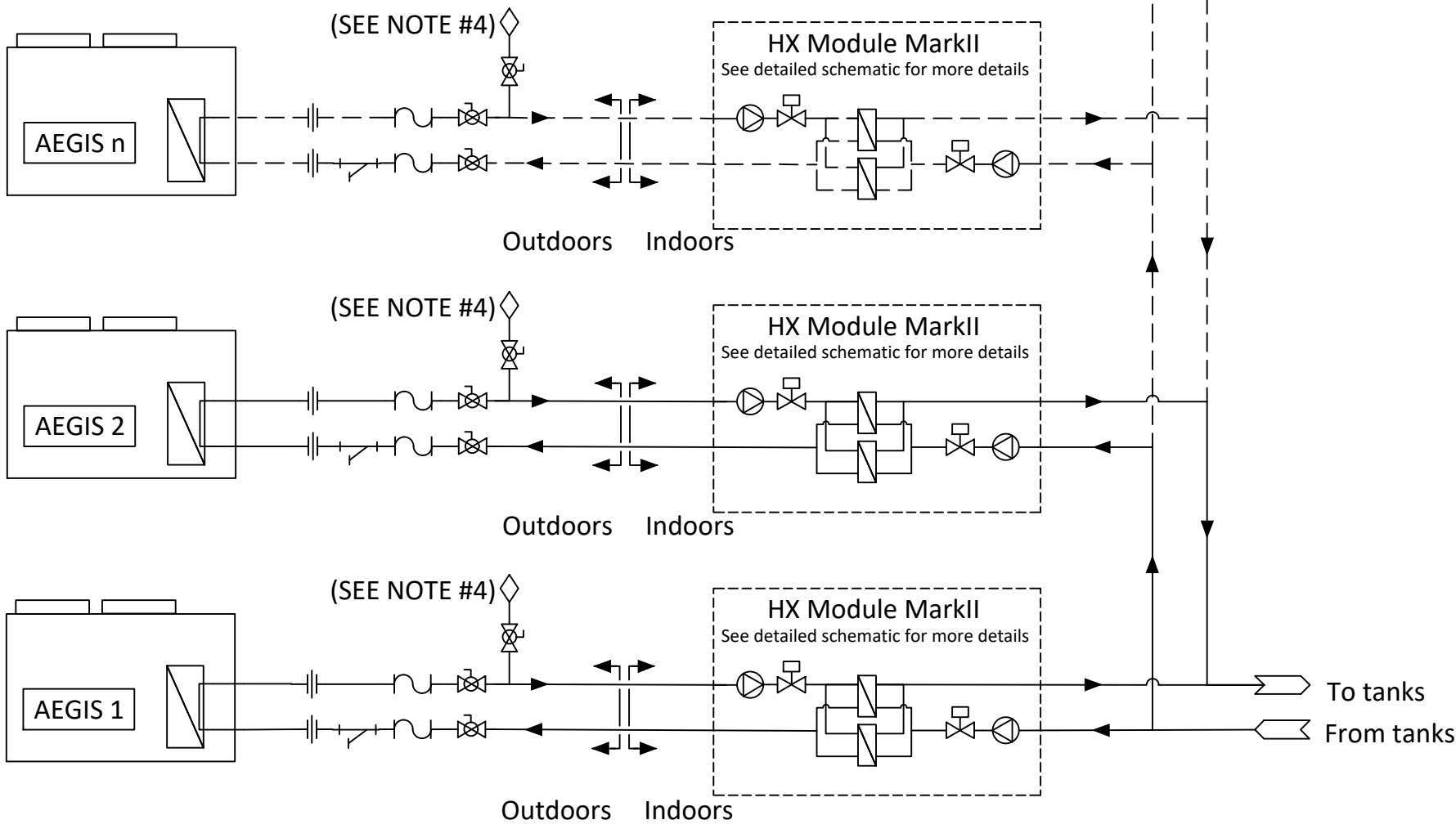
AEGIS HEAT EXCHANGER MODULE MKII



Symbols

- Pressure Relief Valve
- Balance Valve
- Union
- Air Eliminator
- Pump
- Strainer
- Flexible Fitting
- Mixing Valve
- Ball Valve
- Expansion Vessel
- Check Valve
- Motorized Valve

(ADDITIONAL HEAT PUMPS & HX MODULES)



- NOTES:
- 1) NOT FOR CONSTRUCTION.
 - 2) FINAL HEAT EXCHANGER MODULE DESIGN SUBJECT TO CHANGE.
 - 3) PIPE FLOW VELOCITY NOT TO EXCEED 2 ft./sec. USE 1-1/4" COPPER PIPE FOR AEGS 250 AND 350 AND 1-1/2" COPPER PIPE FOR AEGIS 500 BETWEEN HEAT PUMPS AND SKIDS.
 - 4) AIR ELIMINTAOR MUST BE INSTALLED AT THE HIGHEST POINT IN PLUMBING. MANUAL SHUT OFF VALVE RECOMMENDED BELOW AIR VENT.
 - 5) PRV MUST BE PIPED WITHIN 18" OF FLOOR OR PER PLUMBING CODE ON EACH HEAT EXCHANGER MODULE.

	Blauvelt, NY Fort Worth, TX
AEGIS MARK II DUAL FOR 2 OR MORE UNITS INSTALLATION	
DWN.BY <u>K.S.</u> DATE <u>040324</u> SCALE <u>NTS</u> APPD. <u>K.S.</u> DATE <u>070124</u>	SD-L-1302 REV. A