

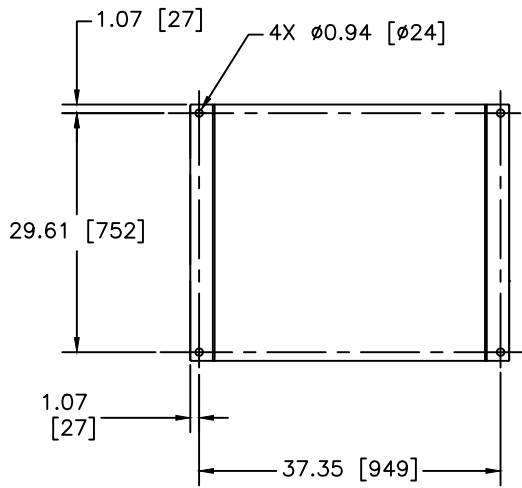
TECHNICAL DATA	
UNIT WEIGHT (Lb/Kg)	633 / 287
SHIPPING WEIGHT (Lb/Kg)	725 / 329
UNIT DIMENSIONS L X W X H (in/mm)	39.50 X 31.75 X 57.40 (1003 X 806 X 1458)
SHIPPING DIMENSIONS L X W X H (in/mm)	48 X 41 X 66 (1219 X 1041 X 1676)
HX SURFACE AREA (ft ² /m ²)	121 / 11.24
PRIMARY LOOP, MAWP (PSI/KPa)	150 / 1034.21
DHW SIDE, MAWP (PSI/KPa)	150 / 1034.21
ELECTRICAL DATA ON PRIMARY PUMP	115VAC 60Hz W/ 4.7A
ELECTRICAL DATA ON SECONDARY PUMP	115VAC 60Hz W/ 2.1A

NOTES:
 1) ALL DIMENSIONS SHOWN ARE IN INCHES (MILLIMETERS).
 2) LYNC RESERVES THE RIGHT TO MODIFY DIMENSIONS WITHOUT PRIOR NOTICE.

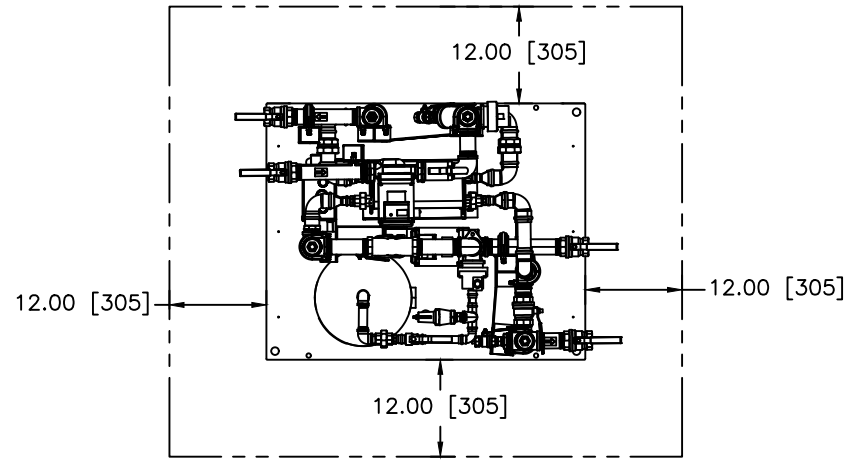
&Lync Blauvelt, NY
Fort Worth, TX

AEGIS MK II
 DUAL HEAT EXCHANGER MODULE
 DIMENSIONAL/CLEARANCE DRAWING

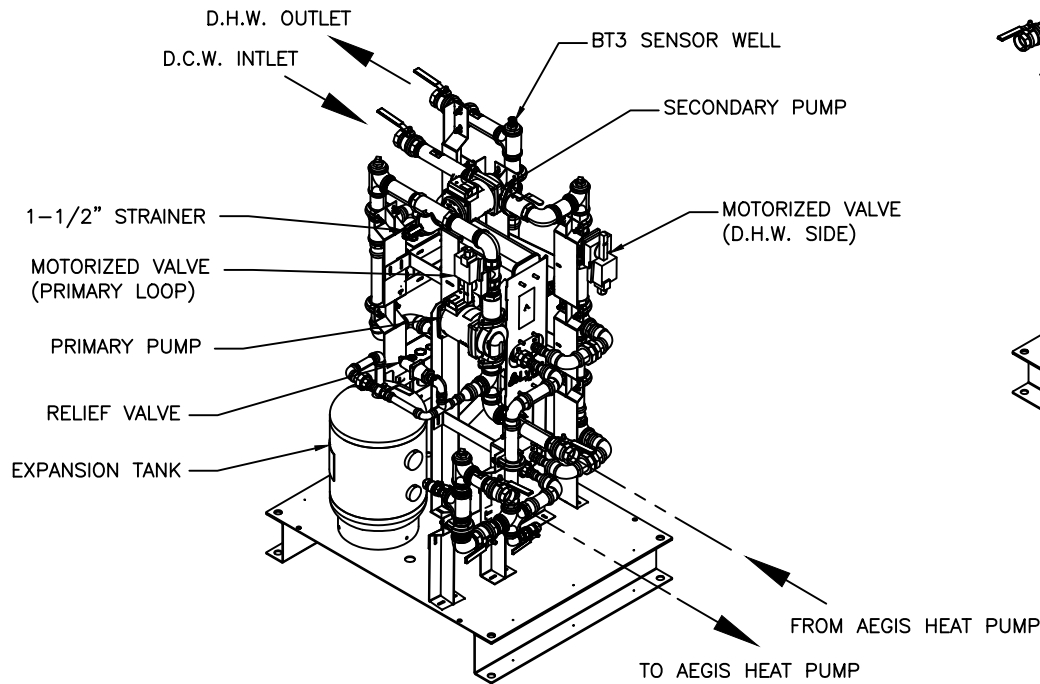
DWN. BY <u>K.S.</u> DATE <u>031323</u>	AP-L-1086 (SHEET 1 OF 2)	REV. F
SCALE <u>NTS</u> REV. BY <u>K.S.</u> DATE <u>030925</u>		



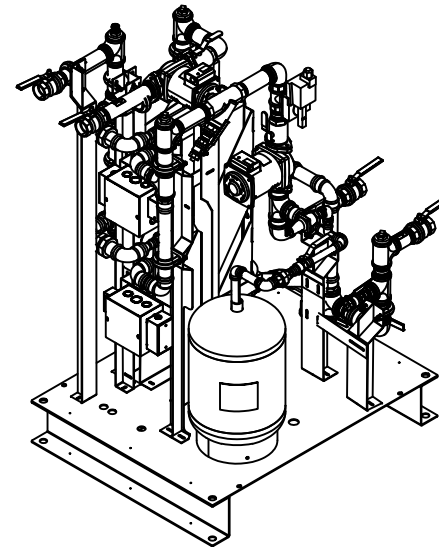
ANCHOR BOLT LOCATIONS



RECOMMENDED CLEARANCE



RIGHT SIDE ISO VIEW



LEFT SIDE ISO VIEW



Blauvelt, NY
Fort Worth, TX

AEGIS MK II
DUAL HEAT EXCHANGER MODULE
DIMENSIONAL/CLEARANCE DRAWING

DWN. BY K.S. DATE 031323
SCALE NTS
REV. BY _____ DATE _____

AP-L-1086
(SHEET 2 OF 2)

REV.
F