

Technical Data Sheet

Custom Electric Storage Water Heater

Lync Custom Electric Storage Tanks are heavy-duty, medium to large capacity electric water heaters constructed with individual heating elements rated at 9 or 18kW that are combined for higher recovery requirements, rather than larger, high-kilowatt tube bundles that can be difficult to maintain. Lync Custom Electric Storage Tanks are currently available for both the Aegis A and Aegis W heat pump water heaters.

Features and Benefits

- 480V, 3-phase standard construction (optional voltages are 208/3, 240/3, 380/3, 400/3, and 600/3)
- 98% thermal efficiency
- Incoloy sheathed heating elements with bronze mounting flanges
- Fiberglass insulation meets requirements of ASHRAE/ IESNA 90.1
- Tank sizes available up to 3000 gallons
- Higher kW inputs (varies by tank)
- Electronic operating control with Modbus RTU connection to Building Automation System
- 5kA SCCR

Corrosion Protection

- Highly durable engineered duplex stainless steel storage tank
- Corrosion-resistant in potable water at any temperature
- Highly resistant to chloride stress corrosion cracking
- No lining or anode rods required or used
- Non-ferrous, removable tank connections

Certifications & Standards

- ETL listed to ANSI/CSA safety standards
- ASME, section IV, part HLW stamped and National Board Registered
- Optional ASME section VIII, high pressure and/or high temperature (>160 psi)

Unmatched Corrosion Resistance with Duplex Stainless Steel

Our revolutionary engineered design combines duplex stainless steel alloy with highly specialized and proprietary manufacturing process. The result is a long-lasting, reliable water heater with superior corrosion-resistance.

Designed for Complete Systems

Lync Custom Electric Tanks are designed with heat pump water heating systems in mind. The tanks include an integral inlet diffuser to encourage stratification and reduce heater cycling.

Warranty

Proprietary design equipped with durable material and quality craftsmanship enable us to provide an industry leading warranty of 25 years.

Optional Equipment

- BACnet gateway connection to Building Automation System
- SCCR up to 200kA available

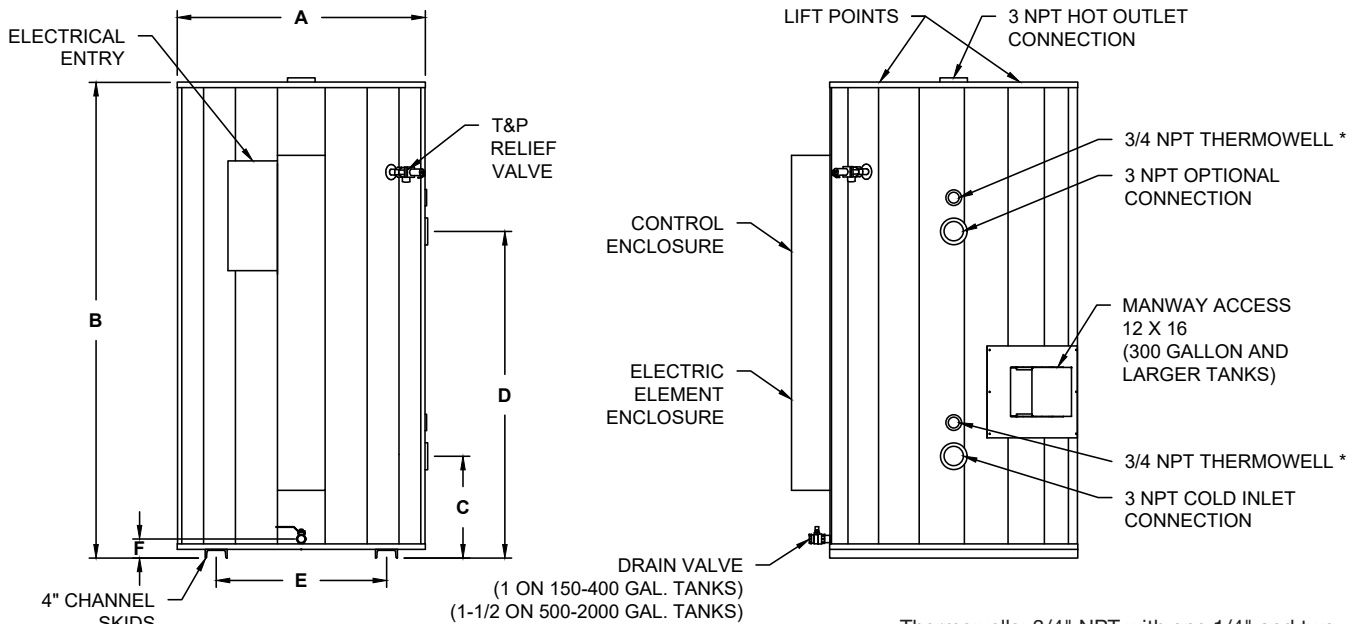


Technical Specifications

Model	kW Input	208/3	Model	kW Input	Element Amps			
		Amps			240V, 3ø	380V, 3ø	480V, 3ø	600V, 3ø
45	9	27	45	9	24	16	13	11
90	18	52	90	18	46	29	24	19
140	27	77	140	27	67	43	35	28
180	36	102	180	36	89	57	46	37
230	45	127	230	45	111	70	57	45
270	54	152	270	54	132	84	67	54
320	63	177	320	63	154	98	78	63
370	72	202	370	72	176	111	89	71
410	80	224	410	81	197	125	100	80
460	90	253	460	90	219	139	111	89
510	99	278	510	99	241	152	122	97
540	105	294	550	108	262	166	132	106
610	120	336	650	126	306	193	154	123
690	135	378	740	144	349	221	176	141
770	150	419	830	162	392	248	197	158
840	165	461	920	180	436	275	219	175
920	180	503	1010	198	478	303	240	193
1000	195	545	1100	216	522	330	262	210
1080	210	Consult Factory	1200	234	565	358	283	228
1160	225							
1240	240							

Storage gal.	Dimensions in Inches						Approx. Shipping Weight lbs
	A	B	C	D	E	F	
150	34x37	63	16	43	21	2 9/16	1130
200		75		49			1220
250		85		57			1265
300	46	75	19	50	31	2 3/4	1295
400		87		58			1340
500	56	78	23	52	31	3	1765
600		90		60			1990
750	67	83	23	55	40	3 11/16	2130
900		95		63			2350
1000		107		71			2570
1250	75	96	23	64	47	3 7/16	3390
1500		108		72			3605
1750		132		88			4045
2000		144		96			4520

The above table represents our most common configurations. Inputs up to 360kW are available. For higher kW input, alternate voltages and alternate kW steps, contact your Lync representative. For larger storage capacities, consult factory.



Thermowells: 3/4" NPT with one 1/4" and two 4mm openings.

Includes R-12.5 insulation.

Tank sizes 1000, and 1500-2000 gallon include horizontal shipping skids (not shown).



Engineered Solutions