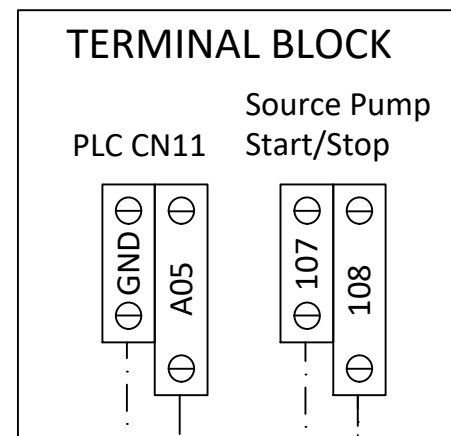
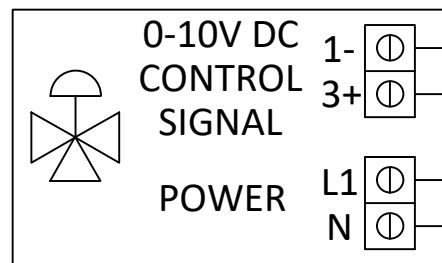


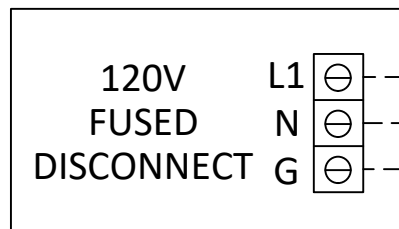
AEGIS ELECTRICAL PANEL



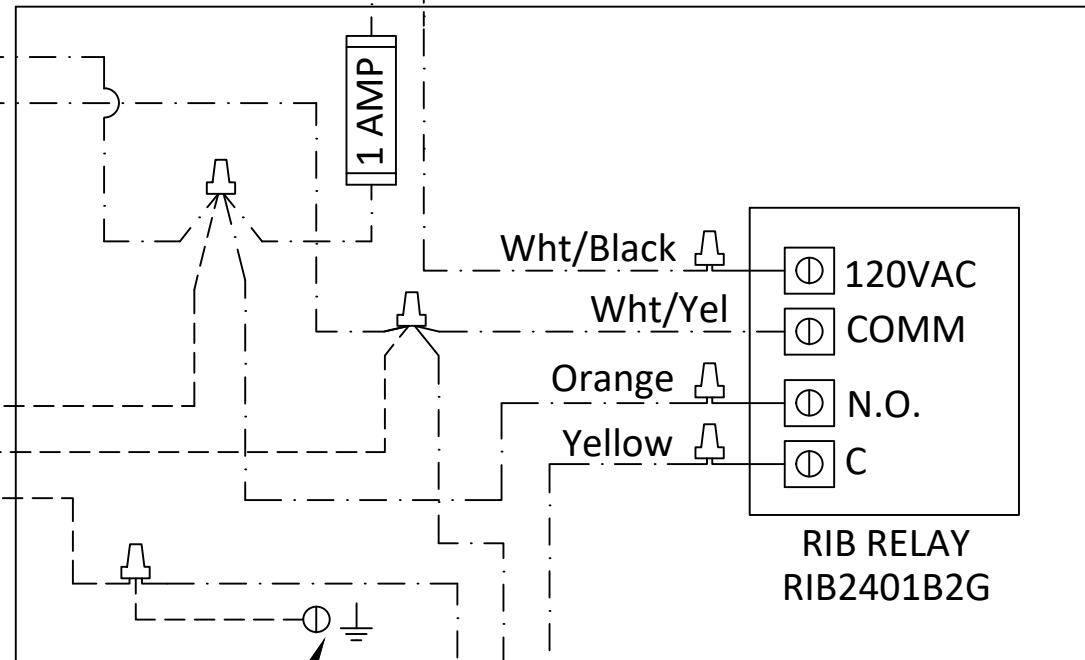
3-WAY MIXING VALVE



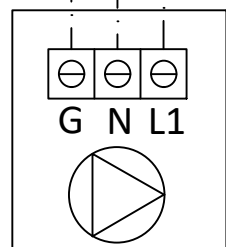
Black
White
Black
White



JUNCTION BOX



(SEE NOTE #3)



SOURCE PUMP

Aegis Model	250	350	500
Kit Part Number	169160	169160	169415
MCA	7	7	13
MOP	10	10	20
FLA	5	5	11

----- 18 AWG Twisted and Shielded Wire (150' max),
16 AWG (150' - 270') or 15 AWG 270' to 360')

----- Wire selected by Installing Electrical Contractor
per Local Code(s)

NOTES:

- 1) NOT FOR CONSTRUCTION.
- 2) ALL WIRING IS FIELD RUN.
- 3) IF A METAL JUNCTION BOX IS USED, THE DISCONNECT MUST BE GROUNDED TO THE BOX.



AEGIS HIGH SOURCE WATER
TEMPERATURE KIT (ELECTRICAL)

DWN.BY K.S. DATE 071425
SCALE NTS
REV.BY K.S. DATE 102125

SD-L-1370

REV.
B