

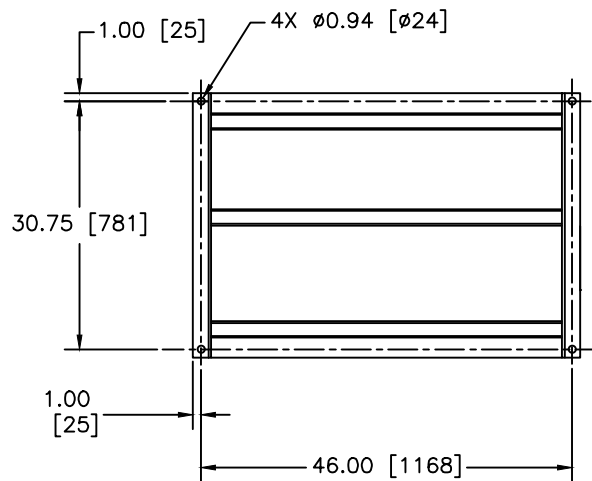
TECHNICAL DATA	
UNIT WEIGHT (Lb/Kg)	790 / 358
SHIPPING WEIGHT (Lb/Kg)	881 / 400
UNIT DIMENSIONS L X W X H (in/mm)	48.00 X 32.75 X 48.78 (1219 X 832 X 1239)
SHIPPING DIMENSIONS L X W X H (in/mm)	56 X 50 X 66 (1422 X 1270 X 1676)
HX SURFACE AREA (ft ² /m ²)	60.5 / 5.62
PRIMARY LOOP, MAWP (PSI/KPa)	300 / 2068.4
DHW SIDE, MAWP (PSI/KPa)	300 / 2068.4
ELECTRICAL DATA ON PRIMARY PUMP	115/208-230VAC 60Hz W/ 7.0/3.87-3.5A
ELECTRICAL PUMP ON SECONDARY PUMP	115/208-230VAC 60Hz W/ 5.2/2.88-2.6A

NOTES:
 1) ALL DIMENSIONS SHOWN ARE IN INCHES (MILLIMETERS).
 2) LYNC RESERVES THE RIGHT TO MODIFY DIMENSIONS WITHOUT PRIOR NOTICE.

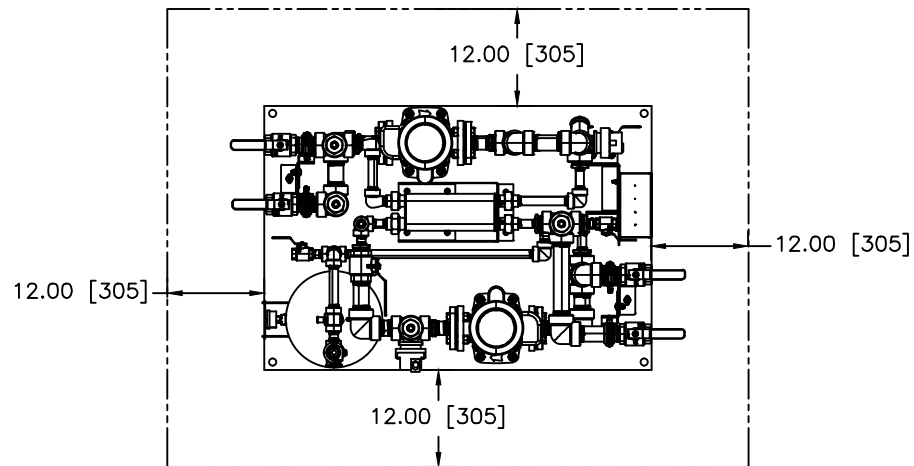
Lync Blauvelt, NY
Fort Worth, TX

AEGIS MK II HIGH PRESSURE
 SINGLE HEAT EXCHANGER MODULE
 DIMENSIONAL/CLEARANCE DRAWING

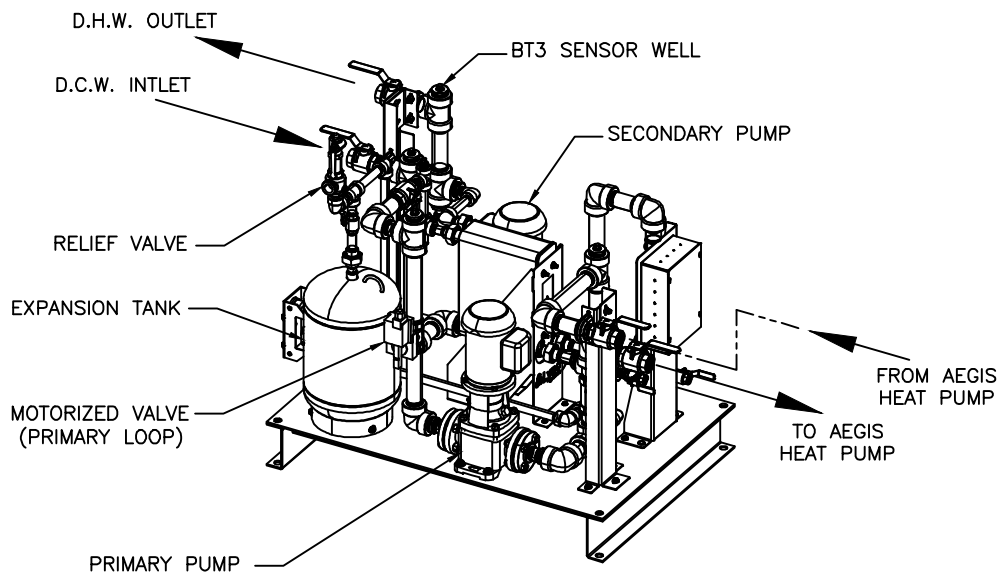
DWN. BY <u>K.S.</u> DATE <u>071525</u>	AP-L-1102 (SHEET 1 OF 2)	REV. A
SCALE <u>NTS</u>		
REV. BY _____ DATE _____		



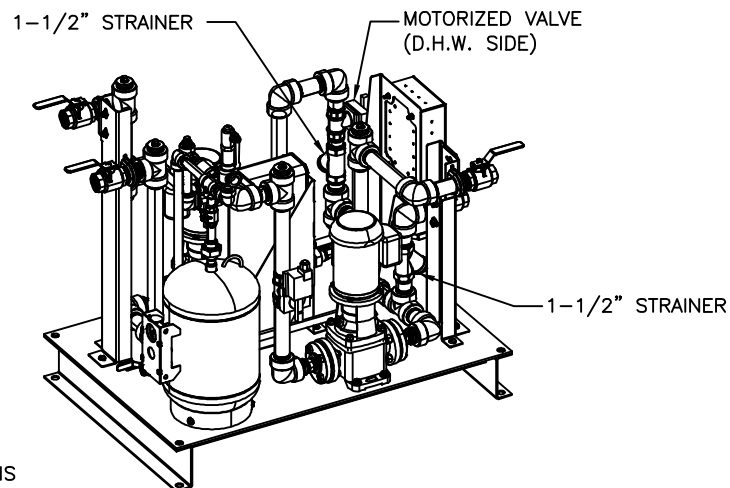
ANCHOR BOLT LOCATIONS



RECOMMENDED CLEARANCE



RIGHT SIDE ISO VIEW



LEFT SIDE ISO VIEW

Lync Blauvelt, NY
Fort Worth, TX

AEGIS MK II HIGH PRESSURE
SINGLE HEAT EXCHANGER MODULE
DIMENSIONAL/CLEARANCE DRAWING

DWN. BY K.S. DATE 071525
SCALE NTS
REV. BY _____ DATE _____

AP-L-1102
(SHEET 2 OF 2)

REV.
A