

TECHNICAL DATA	
UNIT WEIGHT (Lb/Kg)	920 / 417
SHIPPING WEIGHT (Lb/Kg)	1012 / 459
UNIT DIMENSIONS L X W X H (in/mm)	48.00 X 32.75 X 48.88 (1219 X 832 X 1241)
SHIPPING DIMENSIONS L X W X H (in/mm)	56 X 50 X 66 (1422 X 1270 X 1676)
HX SURFACE AREA (ft ² /m ²)	121 / 11.24
PRIMARY LOOP, MAWP (PSI/KPa)	300 / 2068.4
DHW SIDE, MAWP (PSI/KPa)	300 / 2068.4
ELECTRICAL DATA ON PRIMARY PUMP	115/208-230VAC 60Hz W/ 7.0/3.87-3.5A
ELECTRICAL PUMP ON SECONDARY PUMP	115/208-230VAC 60Hz W/ 5.2/2.88-2.6A

NOTES:
 1) ALL DIMENSIONS SHOWN ARE IN INCHES (MILLIMETERS).
 2) LYNC RESERVES THE RIGHT TO MODIFY DIMENSIONS WITHOUT PRIOR NOTICE.



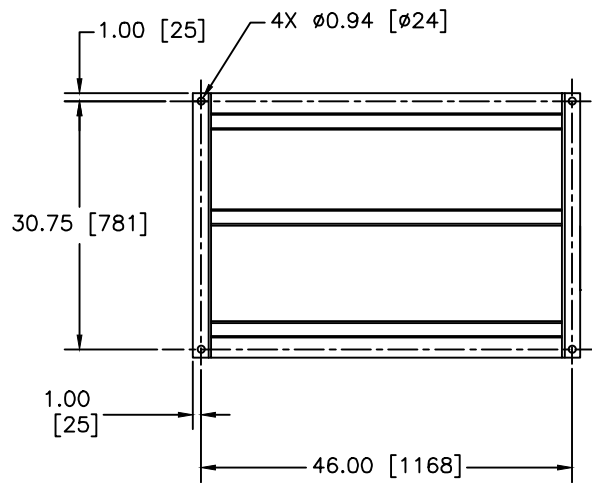
Blauvelt, NY
 Fort Worth, TX

AEGIS MK II HIGH PRESSURE
 DUAL HEAT EXCHANGER MODULE
 DIMENSIONAL/CLEARANCE DRAWING

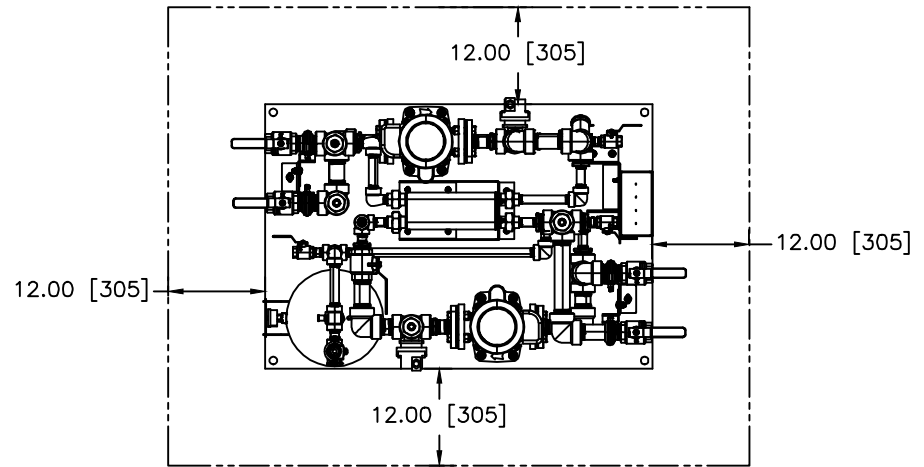
DWN. BY K.S. DATE 032526
 SCALE NTS
 REV. BY _____ DATE _____

AP-L-1103
 (SHEET 1 OF 2)

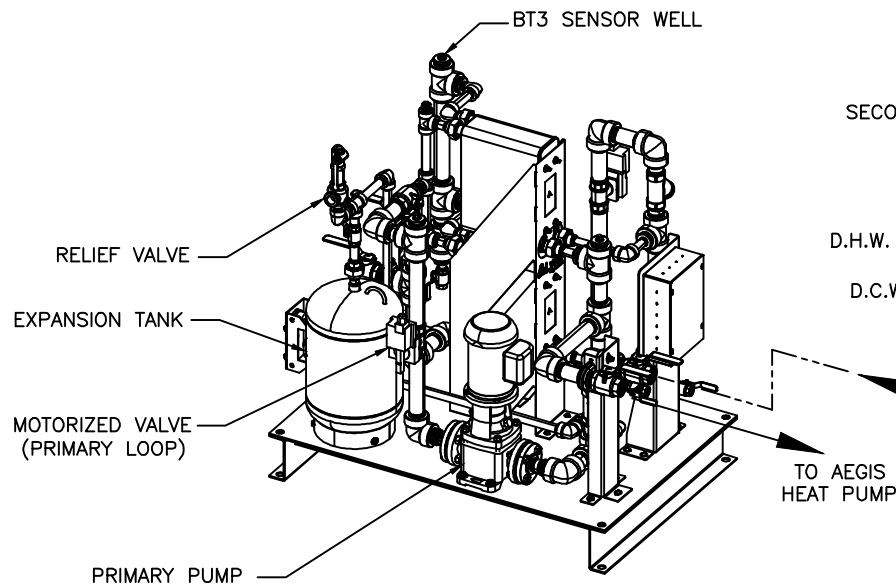
REV.
 A



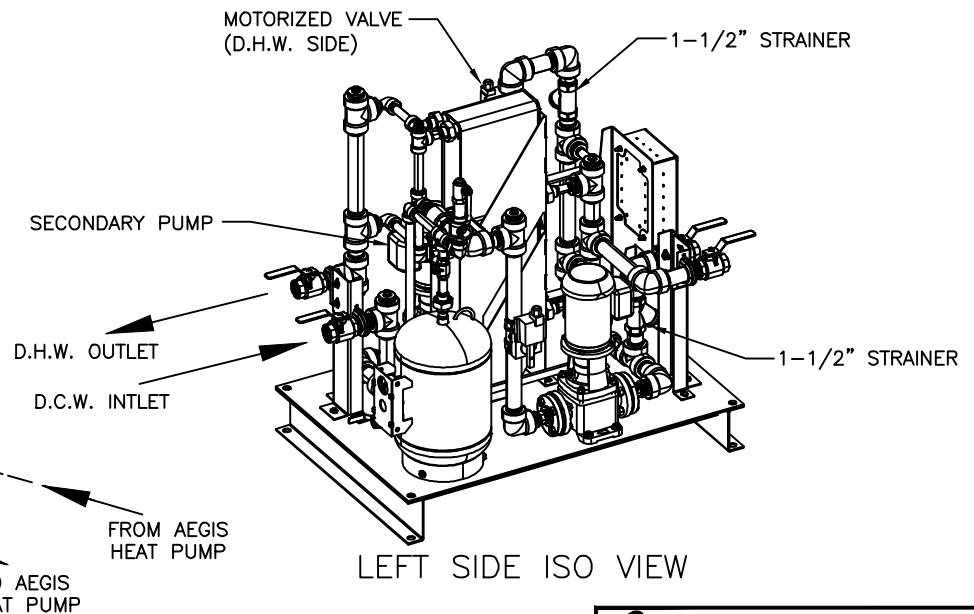
ANCHOR BOLT LOCATIONS



RECOMMENDED CLEARANCE



RIGHT SIDE ISO VIEW



LEFT SIDE ISO VIEW



Blauvelt, NY
Fort Worth, TX

AEGIS MK II HIGH PRESSURE
DUAL HEAT EXCHANGER MODULE
DIMENSIONAL/CLEARANCE DRAWING

DWN. BY K.S. DATE 032526
SCALE NTS
REV. BY _____ DATE _____

AP-L-1103
(SHEET 2 OF 2)

REV.
A